



# **EVODEK® OUTDOOR FENCE**

# EVODEK

- EVODEK® is a globally trusted brand in the innovation of wood plastic composites, striving to make you enjoy the indoor and outdoor living space.
- EVODEK® is committed to leading the WPC industry with patented extrusion technology, engineering exquisite wood plastic composite product and service, and making EVODEK® WPC an essential part of life for all.
- EVODEK® is committed to protecting the environment by manufacturing wood plastic composite made from recycled wood and plastic.
- Not only a material supplier, EVODEK® designs and produce wood plastic composite, tailoring to the special needs of the client, or meeting the harsh environment, with a well-equipped R&D facility and a professional design team.
- EVODEK® is looking for the dealers and partners from countries or regions, and is committed to the success of our partners first, and keep improving upon our customer support.

# FENCING

## FENCE EF-01

### MEASUREMENT



EF-01

### MATCHING FENCE GATE



EFD-01

Single-Gate  
(W1100 × H1800mm)



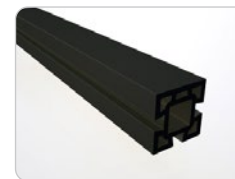
EFD-02

Double-Gate  
(W3200 × H1800mm)

# FENCING

## FENCE EF-01

### ◆ COMPONENTS



① Post  
CFP-01(100x100mm)



② Fence Board  
CFB-01(150x20mm)



③ Top Fence Board  
CFB-02(140x20mm)



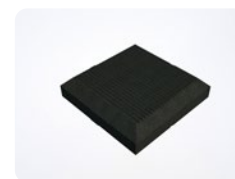
④ Steel Base  
40x40mm



⑤ Aluminum Fence Base  
CH-03(20x26mm)



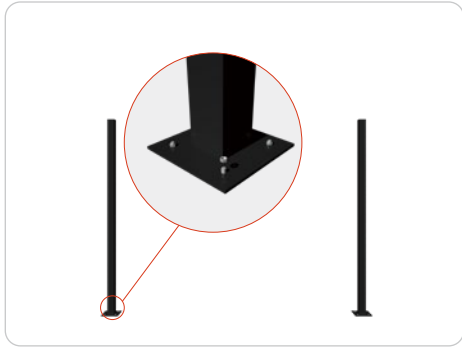
⑥ Sealing Edge  
CH-04(26.2x20mm)



⑦ Post Cap  
120x120mm

# FENCE EF-01

## ◆ INSTALLATION STEPS



### 1. Fix Steel Bases

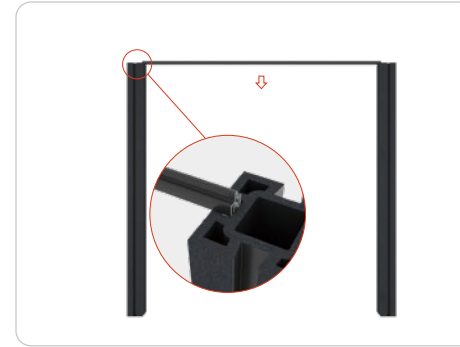
Determine the position of the fence posts, anchor the steel bases to the ground with SS expansion bolts.

Note: Keep the fence posts in a straight line.



### 2. Set Posts

Slide posts over the steel bases.



### 3. Fix the Aluminum Fence Base

Place the aluminum fence base on the bottom along the groove of the post.



### 4. Slide in Fence Boards

Push the fence boards in one by one along the slots of the posts.

Note: Keep an overall gap of 5 mm between the board ends and the post slots.



### 5. Place Top Board into Place

Place the Top Fence Board on top.



### 6. Slot in Sealing Strips

Slot the sealing strips into the posts.



### 7. Put on Post Caps

Put post caps on the posts.



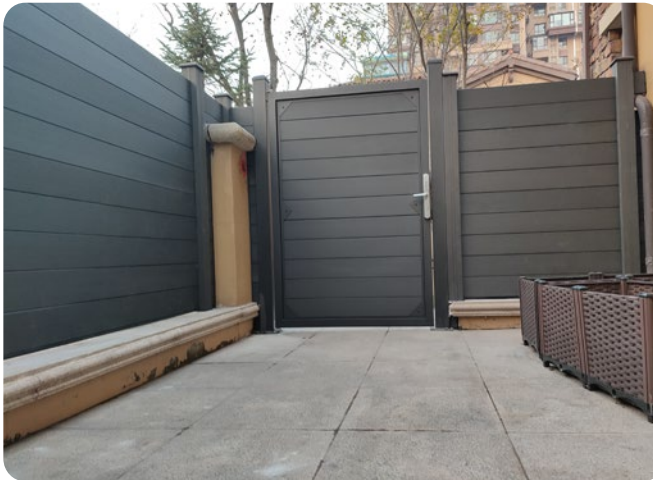
### 8. Installation Finished

Continue and finish the installation in the same manner.

# FENCING

## FENCE EF-01

### ◆ PROJECT CASE



### ◆ AVAILABLE COLORS



Red Pine



Coffee



Blue Gray

# FENCING

## Fence Gate EFD-01

### ◆ COMPONENTS



EFD-01  
For Fence EF-01



① Fence Gate  
CWB-01(1665x900mm)



② Steel Post  
TF-03S(h1800\*φ100mm)



③ U-Shaped Slot  
(1700x20x20mm)



④ L-Hinge



⑤ Bearing

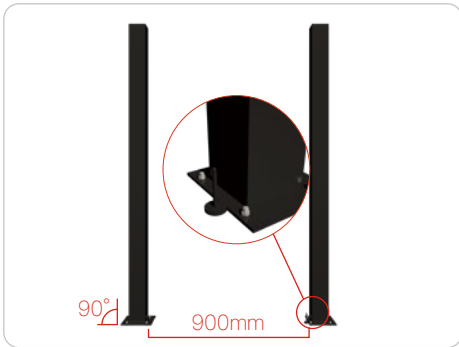


⑥ Post Cap  
PC-100(100x100mm)



⑦ Latch Protector

## ◆ Fence Gate EFD-01 Installation



### 1. Set Posts

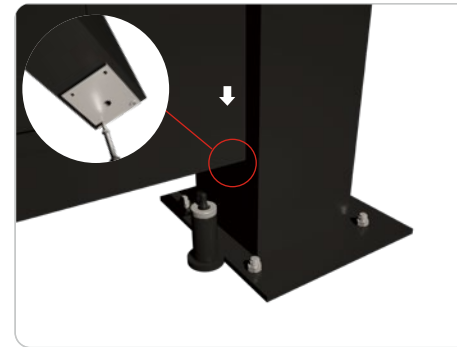
Prior to installation, make sure the ground is solid and smooth. Determine the swing direction of the fence gate. Anchor the fence gate posts to the ground with expansion bolts.

Note: Keep a distance of 900 mm between the sides of the posts and make sure they're plumb and in a straight line.



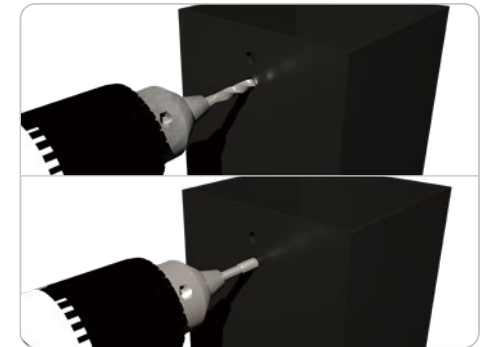
### 2. Install Bearing Pedestal and Bearing

Put the bearing pedestal and bearing on the pin.



### 3. Fix Shim to Gate

Fix the shim with screws over the hole on the bottom of the gate, make sure the shim is well centered. Mount the gate onto the pin.



### 4. Drill and Tap Holes

Use the gate to determine the position of the upper L-hinge, then drill and tap the holes for the L-hinge.



### 5. Fix L-Hinge to Post

Fix the L-hinge to the post with machine screws, and tighten the nuts from inside the post.



### 6. Gate Placement

Secure the L-hinge to the gate with a hexagon socket bolt.



### 7. Gate Placement Finished

Gate placement completed.

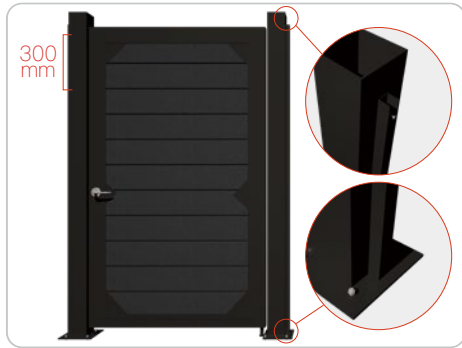


### 8. Fix Strike Plate and Latch Protector

Fix the strike plate and latch protector to the post with self-drilling screws, and make sure it's in the correct position so that the lock functions well.

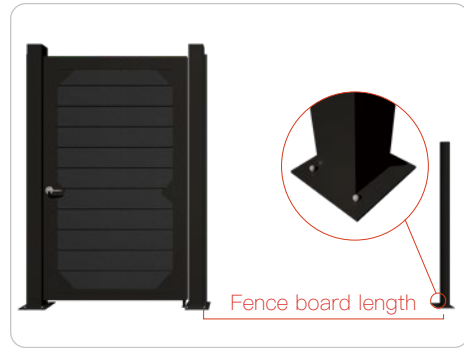


## ◆ Fence Installation



### 9. Fix U-slots to Fence Gate Post

Place U-slots on the side of the fence gate post where fence boards are installed, make sure they're centered, then fix with screws at an interval of 30 cm.



### 10. Install Fence Post

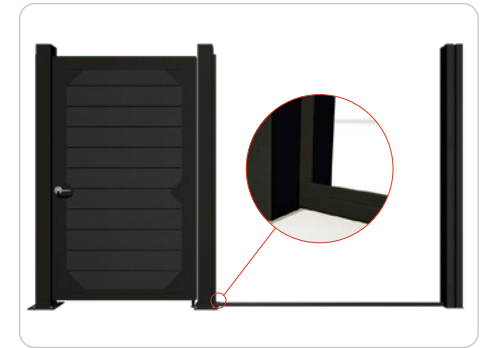
Determine the position of the fence posts, anchor the steel base to the ground with SS expansion bolts, and slide the fence post over the steel base.

Note: Make sure the fence posts are in a straight line.



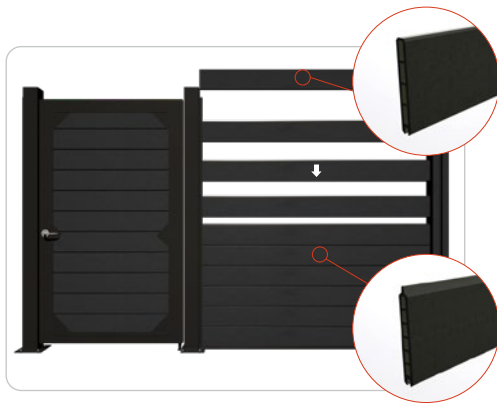
### 11. Set Posts

Put the post on the steel base.



### 12. Fix the Aluminum Fence Base

Slide an aluminum fence base to the bottom along the slots of the post.



### 13. Install Fence Boards

Push in the fence boards one by one along the slots of the posts, and the Top Fence Board should be last.



### 14. Insert Sealing Strips

Fence installation completed, Insert sealing strips into the posts.



### 15. Put on Post Caps

Put the post cap on the top of the post.



### 16. Installation Finished

Continue with other fence installations. Installation finished.



ETERNAL HOPE · FLOWING GRAIN